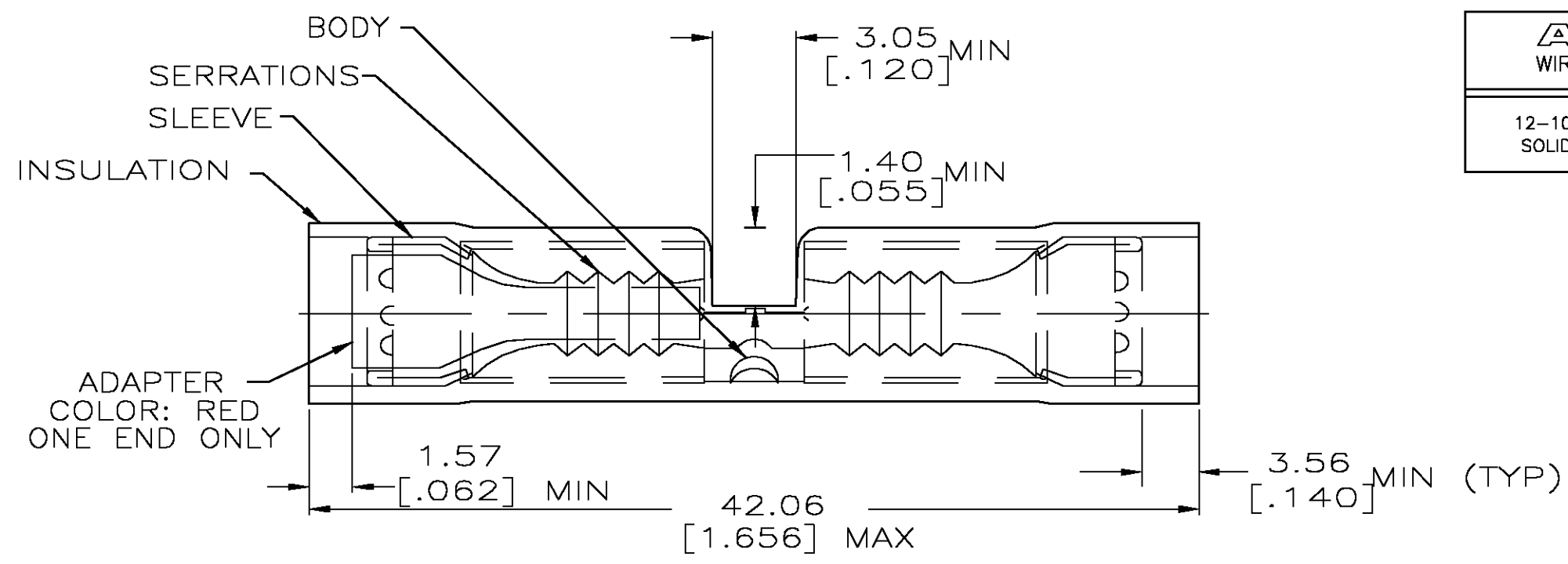


THIS DRAWING IS UNPUBLISHED. RELEASED FOR PUBLICATION  
 © COPYRIGHT BY TYCO ELECTRONICS CORPORATION. ALL RIGHTS RESERVED.

LOC	DIST	REVISIONS					
		P	LTR	DESCRIPTION	DATE	DWN	APVD
G	14		H1	REV PER 0G3A-0193-05	31MAY05	JR	TM

1. WIRE INSULATION DIA 1.52[.060] TO 3.56[.140]  
 WIRE INSULATION DIA 3.81[.150] TO 5.59[.220]
- △ 2. TIN PLATE PER MIL-T-10727
3. PARTS MANUFACTURED AFTER MAY 2005 ARE ROHS COMPLIANT.



<b>AMP</b> WIRE RANGE	Listed FILE E13288	LR7189 Certified
12-10 TO 22-16 AWG SOLID OR STRANDED	12-10 TO 22-16 AWG SOLID OR STRANDED	12-10 TO 22-16 AWG SOLID OR STRANDED

50	LOOSE PIECE	327639
QTY	PACKAGE TYPE	PART NO.

<b>AMP INCORPORATED CUSTOMER SERVICE SYSTEMS</b>		MAX RECOMMENDED OPERATING TEMPERATURE: 105°C [221°F]	THIS DRAWING IS A CONTROLLED DOCUMENT.		DWN S.S. GOULDEN 9-28-93	Tyco Electronics Corporation Harrisburg, Pa 17105-3608	
FOR ADDITIONAL PRODUCT INFORMATION OR COPIES OF DRAWINGS AND TECHNICAL DOCUMENTS	PRODUCT INFORMATION CENTER 1-800-522-6752	VOLTAGE RATING: 300V MAX	DIMENSIONS: MM [INCHES]	TOLERANCES UNLESS OTHERWISE SPECIFIED:	CHK R. HERSEY 9-28-93	NAME SPLICE, BUTT, PIDG WIRE SIZE: 12-10 TO 22-18 AWG	
FOR APPLICATION TOOLING INFORMATION	TOOLING ASSISTANCE CENTER 1-800-722-1111	CIRCULAR MIL AREA: 2.62-6.64mm² [5,180-13,100] 0.26-0.96mm² [509-1,900]		0 PLC ± - 1 PLC ± - 2 PLC ± 0.20[.008] 3 PLC ± - 4 PLC ± - ANGLES ± -	APVD T. MICHELUTTI 9-28-93	PRODUCT SPEC	SIZE
FOR ORDER ENTRY	1-800-526-5142	THIS DRAWING IS A CONTROLLED DOCUMENT FOR AMP INCORPORATED. IT IS SUBJECT TO CHANGE AND THE CONTROLLING ENGINEERING ORGANIZATION SHOULD BE CONTACTED FOR THE LATEST REVISION.	MATERIAL COPPER ASTM B-152 NYLON: COLOR-YELLOW	FINISH - △ 2	APPLICATION SPEC	APPLICATION SPEC	CAGE CODE
					WEIGHT	WEIGHT	DRAWING NO
					CUSTOMER DRAWING		A300779
							RESTRICTED TO
							SCALE 2:1
							SHEET 1 OF 1
							REV H1